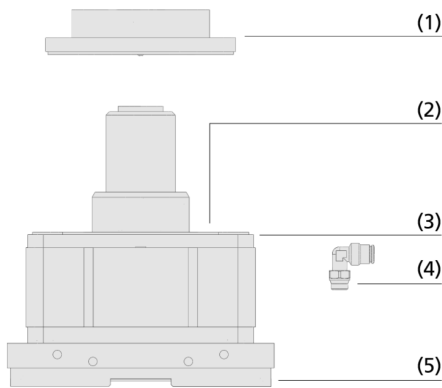


# Mechanical Clamps VCMC-G

Clamping range 10 to 100 mm



Mechanical Clamps VCMC-G



System Design Mechanical Clamps VCMC-G



Mechanical clamps VCMC-G for clamping several wooden strips

## Suitability for Industry Specific Applications

- Mechanically clamping system for CNC machining machines with flat table system
- The mechanical clamps are activated via vacuum so that no further medium is required at the machine for clamping
- One vacuum line (circuit 1) supplies the bottom suction plate for fixing the clamp to the machine table, while the second vacuum line (circuit 2) pulls the piston and clamping disc down to fix the workpiece
- Particularly well suited for narrow and curved workpieces such as frame parts and window profiles

## Design

- Eccentric clamping disc (1) is pulled downward by the operating vacuum via a piston in the clamp
- Friction material (2) for optimizing lateral force absorption
- Main body (3) made of aluminum
- Screw in push fitting (4) for vacuum feeder
- Interface to flat table (5) with sealing frame

## Product Highlights

- Eccentrically positioned clamping plates for optimum use of the clamping surface
- Holds even narrow workpieces securely with clamping forces of up to 700 N
- No additional medium necessary, as it can be activated via the operating vacuum of the CNC machining center
- Withstands the strongest lateral forces thanks to special friction materials

# Mechanical Clamps VCMC-G

Clamping range 10 to 100 mm

## Designation Code Mechanical Clamps VCMC-G

VCMC-G	–	154x128x100	–	10-100
1		2		3

### 1 – Abbreviated designation

Code	Type
VCMC-G	Mechanical clamp, flat table system

### 2 – Dimensions

Code	LxWxH in mm
154x128x100	154x128x100

### 3 – Clamping range

Code	Clamping range in mm
10-100	10-100

The mechanical clamp VCMC-G is delivered assembled. The product consists of:

- Clamping disc
- Main body made of aluminium

Available spare parts: Clamping disc

## Ordering Data Mechanical Clamps VCMC-G

Type	Part no.
VCMC-G 154x128x100 10-100	10.01.12.01997

## Ordering Data Spare Parts Mechanical Clamps VCMC-G

Type	Spare Parts	SPAN-TELL 110x14 EX VCMC	SPAN-TELL 110x25.5 EX VCMC	SPAN-TELL 110x40.5 EX VCMC
VCMC-G 154x128x100 10-100	Clamping disc	10.01.12.01980	10.01.12.01930	10.01.12.01936

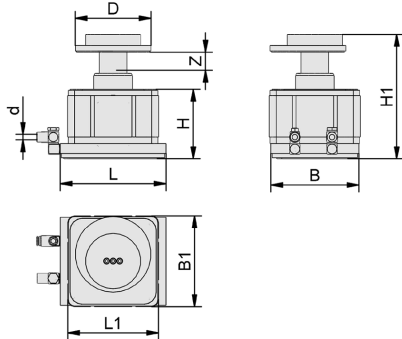
## Technical Data Mechanical Clamps VCMC-G

Type	Hose type construction
VCMC-G 154x128x100 10-100	Hose D = 8 d = 6

# Mechanical Clamps VCMC-G

Clamping range 10 to 100 mm

## Design Data Mechanical Clamps VCMC-G



VCMC-G

## Mechanical Clamps VCMC-G

Clamping range 10 to 100 mm

### Design Data Mechanical Clamps VCMC-G

Type	B [mm]	B1 [mm]	d [mm]	D [mm]	H [mm]	H1 [mm]	L [mm]	L1 [mm]	Z (Stroke) [mm]
VCMC-G 154x128x100 10-100	128	130	8	110	100	180	154	130	40